



HCP 4000 Series

4" CLASS 3-PHASE PUMPS
5.5-12.5 HP



1 YEAR
WARRANTY



MODERN THERMOPLASTIC DESIGN FOR HIGH-FLOW, MEDIUM-HEAD APPLICATIONS.

Available in 5.5 to 12.5 HP, HCP 4000 Series self-priming pumps feature Noryl® thermoplastic housings, an advanced alternative to traditional bronze or cast iron. This lightweight material ensures an effortless installation, while a totally enclosed fan-cooled (TEFC) motor provides the power and reliability commercial pools, spas and water features demand.



RELIABLY RUGGED PERFORMANCE

A lightweight, glass-reinforced Noryl hydraulic body means HCP 4000 self-priming pumps are solid without being heavy. The impeller and diffuser, made from the same material, provide a maximum strength-to-weight ratio. The TEFC motor design provides years of durable, reliable performance.



SMART STRAINER-BASKET DESIGN

HCP 4000 pumps feature a large, non-corrosive plastic strainer basket that extends the time between cleanings and eliminates rust. The transparent lid allows for easy inspection of the strainer basket, and its quick-release mechanism opens easily without tools.



EASY ONE-MAN INSTALLATION

Lightweight Noryl thermoplastic and 4" union connections make HCP 4000 pumps simple to install on your own in almost any pool pad. An elevated base ensures better circulation and protection from flooding, further aiding in painless serviceability.



Tool-free, quick-release strainer lid allows for fast and easy inspection and maintenance

4" union connections simplify installation and servicing

Large, non-corrosive plastic strainer basket extends time between cleanings and prevents rust

Totally enclosed fan-cooled motor (TEFC) provides maximum efficiency and reliability

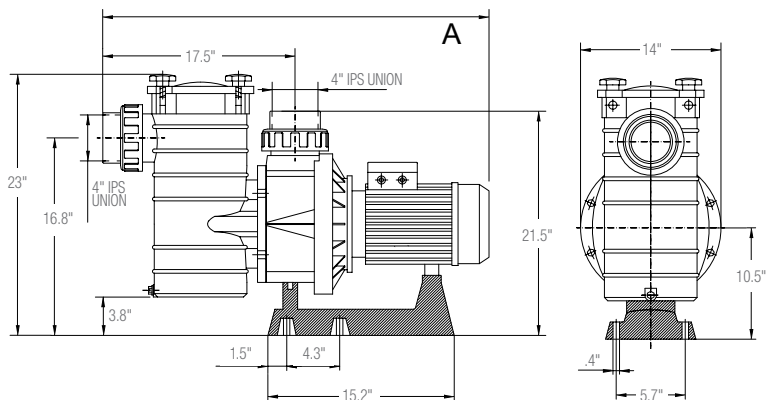
Elevated base improves ventilation and protects against flooding

TECHNICAL SPECIFICATIONS

PART NUMBER	HP	VOLTAGE	HZ	AMPS	CARTON QUANTITY	CARTON WEIGHT
HCP40553	5.5	230/460 3-Phase	50/60	14.6/7.3	1	110 lbs.
HCP40753	7.5	230/460 3-Phase	50/60	21/10.5	1	125 lbs.
HCP401003	10.0	230/460 3-Phase	50/60	26.1/13	1	142 lbs.
HCP401253	12.5	230/460 3-Phase	50/60	31.6/15.8	1	155 lbs.

DIMENSIONS

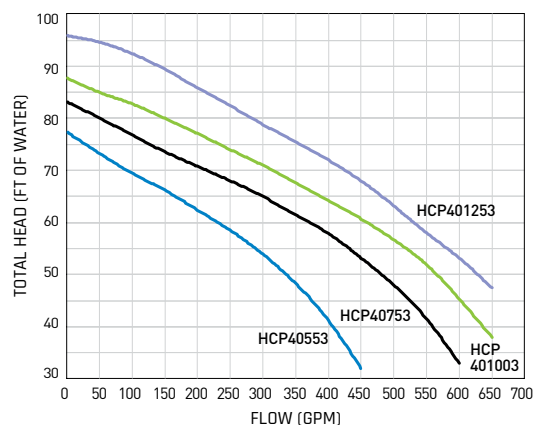
MODEL	HCP40553	HCP40753	HCP401003	HCP401253
HP	5.5	7.5	10.0	12.5
(A) Inch	34.2	36.0	37.2	37.2



PERFORMANCE DATA

PART NUMBER	PUMP OUTPUT (GPM) VS. TOTAL RESISTANCE TO FLOW (FEET OF HEAD)							
	25	30	35	40	45	50	55	60
HCP40553	476	450	431	406	374	333	291	235
HCP40753	641	614	588	561	526	481	430	369
HCP401003	721	695	669	635	602	570	521	461
HCP401253	815	776	739	709	668	631	580	536

HCP SERIES PERFORMANCE DATA



All motors: Certified to UL 1004, IP 55 protection, insulation class F, 60 hz., 3,550 RPM

» haywardcommercialpool.com » 1-800-657-2287

HCP 4000 Series Pumps are listed by:



Hayward, Hayward & Design and the H logo are registered trademarks of Hayward Industries, Inc. All other trademarks not owned by Hayward are the property of their respective owners. Hayward is not in any way affiliated with or endorsed by those third parties. © 2018 Hayward Industries, Inc.

SPECCHCP400018

