



In-Ground Skimmers

»»» For Concrete Pools

HIGH-QUALITY DESIGN DELIVERS
SUPERIOR RELIABILITY



Three versatile designs to fit every pool.

Engineered for a range of residential and commercial applications, Hayward® in-ground pool skimmers are manufactured to rigorous quality standards. Their durable, unibody construction is molded of rugged ABS material for all-weather performance, and each skimmer is offered with multiple plumbing connections for simple installation. Noncorrosive, nonconductive and virtually indestructible, they're the preferred choice of professional pool builders.



SKIMMASTER® SERIES

Designed for large-capacity commercial and residential applications, SkimMaster Series skimmers boast one of the highest flow ratings in the industry at 75 GPM. They feature threaded internal connections for pressure testing, an optional float/bypass valve, a field-installable water bonding kit and an automatic safety bypass for low water conditions. Model SP1072S2 also includes PVC ports, which greatly reduce installation time.



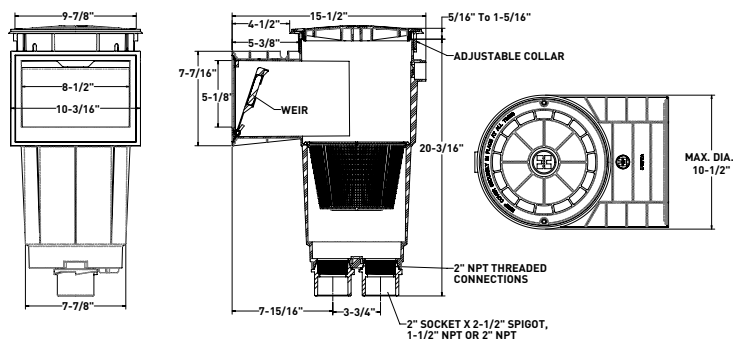
SKIMMASTER SERIES SPECIFICATIONS

MODEL NUMBER	PIPE SIZE	FLOW RATING	COVER STYLE	THROAT LENGTH	CTN. QTY.	CTN. WEIGHT
SP1071T2*	1.5" FIP	55 GPM	Round	4.5"	1	8 lbs.
SP1072T2	2" FIP	75 GPM	Round	4.5"	1	8 lbs.
SP1072S2**	2" SKT x 2.5" SPIG	75 GPM	Round	4.5"	1	8 lbs.

*Residential use only

**Available in gray, dark gray and black. Add suffix GR for gray, DGR for dark gray and BLK for black. Also available with tan collar and cover—add suffix 10 to model number. For skimmer packaged with float valve, add suffix FVA to model number.

SKIMMASTER SERIES DIMENSIONS



Measurements are for reference only.

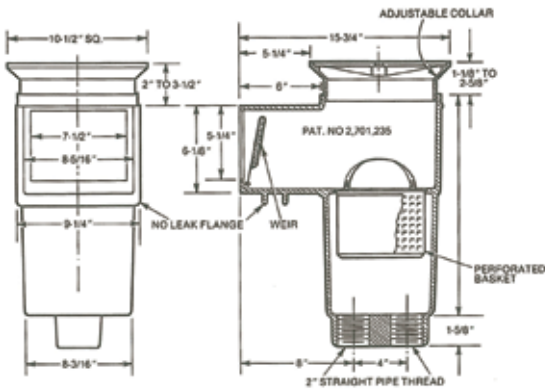




AUTOSKIM™ SERIES

AutoSkim Series skimmers are designed for demanding commercial and residential applications and provide precision, large-capacity automatic surface skimming. They feature an automatic bypass for low water conditions, a snap-in weir that automatically adjusts to water level fluctuations up to 4 1/2" and a choice of threads for piping versatility. Molded of 3/16" ABS material, they're ideal for pools located in colder climates.

AUTOSKIM SERIES DIMENSIONS



Measurements are for reference only.

AUTOSKIM SERIES SPECIFICATIONS

MODEL NUMBER	PIPE SIZE	FLOW RATING	COVER STYLE	THROAT LENGTH	CTN. QTY.	CTN. WEIGHT
SP10821	1.5" FIP	55 GPM	Square	5.25"	1	10 lbs.
SP1082*	2" FIP	55 GPM	Square	5.25"	1	10 lbs.
SP10821R	1.5" FIP	55 GPM	Round	5.25"	1	10 lbs.
SP1082RC*	2" FIP	55 GPM	Round	5.25"	1	10 lbs.

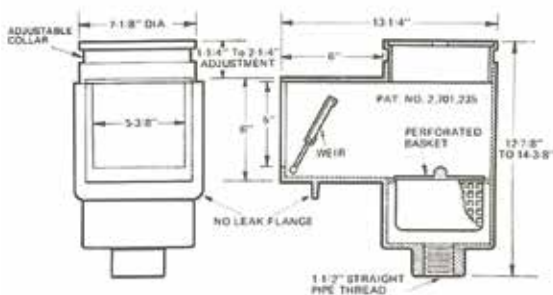
*Available in dark gray. Add suffix DRG to model number for dark gray.



AUTOSKIM PT & ECONOMY SERIES

AutoSkim PT & Economy skimmers are ideal for "skimming only" applications in smaller pool, spa or pond installations. They feature a stackable deck collar that allows for 2" vertical height extension, a narrow throat and shorter overall height dimensions. Plus, dual ports for pump and main drain connections are compatible with both 1" and 2" plumbing, meaning they can be used with the same installation selections as standard AutoSkim Series skimmers.

AUTOSKIM PT & ECONOMY SERIES DIMENSIONS



Measurements are for reference only.

AUTOSKIM PT & ECONOMY SERIES SPECIFICATIONS

MODEL NUMBER	PIPE SIZE	FLOW RATING	COVER STYLE	THROAT LENGTH	CTN. QTY.	CTN. WEIGHT
SP1096	1.25" FIP	38 GPM	Round	6"	1	6 lbs.



IN-GROUND SKIMMER SERIES GUIDE

FEATURE	SKIMMASTER®	AUTOSKIM™	AUTOSKIM PT & ECONOMY
Flow Rating	75 GPM	55 GPM	38 GPM
Plumbing Connections	PVC Ports	ABS Ports	ABS Ports
Threaded Internal Connections	2" NPT	1.5" NPT	1.5" NPT
Outlet Type	Single & Dual Options	Single & Dual Options	Single
Self-Adjusting Weir	8" with Stainless Steel Spring	Snap-In	Snap-In
Collar Style	Round Design	Stackable Notched Extension Collar	Stackable Deck Collar
Tamper-Proof Cover	•	•	•
Integral Flo-Control Slide Plate	•	•	•
Float Valve and Equalizer Kit	•	•	•
Glue-Free Manufacturing	•	•	•
ABS Body	•	•	•
Knockout Overflow Port	•	•	
Bypass Valves	•	•	
Optional Float/Bypass Valve	•		
Field-Installable Water Bonding Kit	•		

» hayward.com » 1-888-HAYWARD

Pumps » Filters » Heaters » Cleaners » Sanitization » Automation » Lighting » Water Features » White Goods