

Super Pump® 700

High Efficiency Pumps

THE INDUSTRY'S FAVORITE POOL PUMP,
NOW WITH AN ADVANCED TEFC MOTOR

LONG-LASTING PERFORMANCE, NOW MORE RELIABLE THAN EVER.

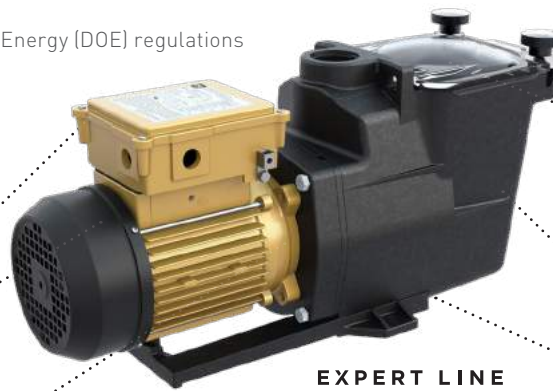
Hayward Super Pump already sets the industry standard for excellence and value, and the new Super Pump 700 is upgraded with an exclusive totally enclosed fan-cooled (TEFC) motor for added reliability. The TEFC motor also provides a top-mount wiring compartment that makes installation faster and easier than ever. Complete with a chemical-resistant Viton® seal backed by a 2-year warranty, Super Pump 700 resists corrosion to stay in top condition season after season. It's everything you love about Super Pump, now with unparalleled performance.

Superior pump efficiency meets Department of Energy (DOE) regulations

Top-mount wiring compartment and updated motor design provide up to 6" of extra space for hassle-free installation in small pool pads

Totally enclosed fan-cooled (TEFC) motor ensures long-lasting performance and uniform heat dissipation

Chemical-resistant Viton seal offers powerful corrosion protection



EXPERT LINE
ONLY FROM POOL PROS

See-through strainer cover is easy to remove and lets you see when the basket needs cleaning

Extra-large debris basket provides added leaf-holding capacity for less frequent maintenance

Wing nut drain plug is easy to open and close for winterizing

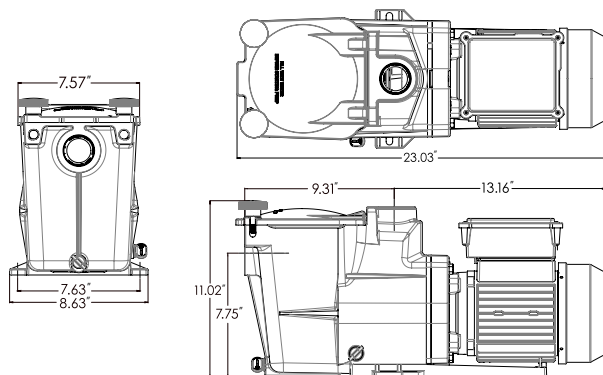


SPECIFICATIONS

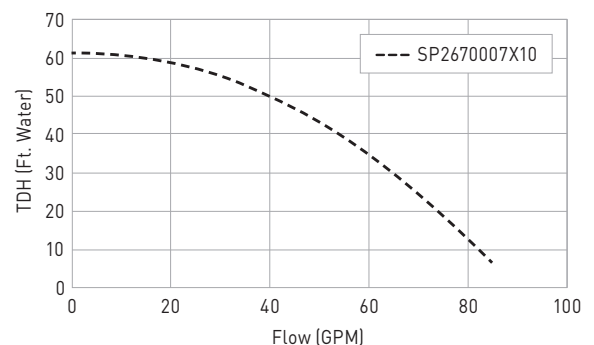
	TOTAL HORSEPOWER	PORT SIZE	WEIGHTED ENERGY FACTOR (WEF)*	WARRANTY
SP2670007X10	1.10	2 in	3.4	2 years



*The higher the weighted energy factor (WEF), the more efficient the pump. Visit hayward.com/regulations for more information.

SUPER PUMP 700 DIMENSIONS (INCHES)



SUPER PUMP 700 FLOW VS. TOTAL HEAD



Super Pump 700 pumps are listed by:  

» hayward.com » 1-888-HAYWARD | Pumps » Filters » Heaters » Sanitization » Automation » Lighting » Water Features » Cleaners » Safety

Hayward, Hayward & Design, the H logo and Super Pump are registered trademarks and We Build Better. is a trademark of Hayward Industries, Inc. All other trademarks not owned by Hayward are the property of their respective owners. Hayward is not in any way affiliated with or endorsed by those third parties. © 2021 Hayward Industries, Inc.